

COMPACT THERMODYNAMIC STEAM TRAP (VTD-31A)

TECHNICAL INFORMATION SHEET

CAST STAINLESS STEEL (ASTM A743 Gr. CA 40)
 SIZE : 15 NB & 20 NB



DESCRIPTION

Volfram Compact Thermodynamic Steam Trap with full stainless steel construction is best suited for application such as Header, Steam Irons etc.

SIZES & CLASS / RATINGS

- Available Sizes : 15 NB, 20 NB
- End Connection : Socket Weld or Screwed Ends (ASME B 16.11)

CERTIFICATION : These Traps are available with IBR certification (Indian Boiler Regulations).

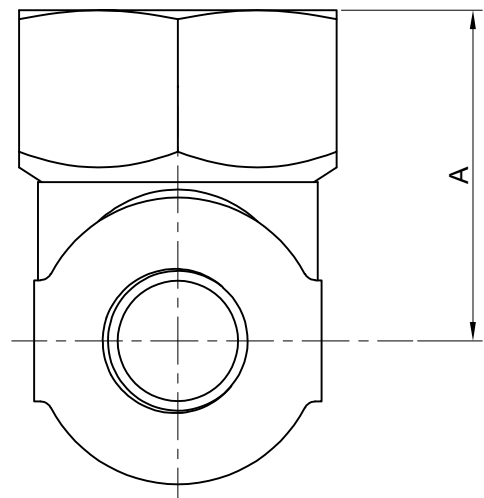
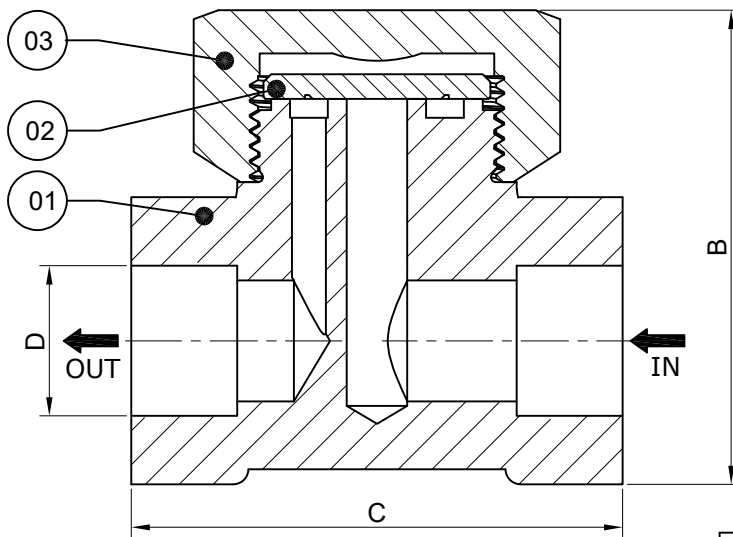
FEATURES

- Robust design giving excellent resistance to water hammer and vibration
- Positive discharge with tight shut-off
- Discharge condensate close to steam saturation temperature
- Standard end connections as per ASME B 16.11
- Compact Design, Easy to install



COMPACT THERMODYNAMIC STEAM TRAP (VTD-31A)

BILL OF MATERIAL		
Sr. No.	Part	Material
01	Body	ASTM 743 GR.CA 40
02	Disc	SS 420
03	Disc Cap	ASTM 743 GR.CA 40



OPERATING CONDITIONS		
Type	Max Operating Pressure	Max Operating Temperature
S/W	53.0 Kg/cm ² @250°C	425°C @ 39.7 Kg/cm ²
SCR	31.5 Kg/cm ² @250°C	425°C @23.6 Kg/cm ²

DIMENSIONS(MM)						
Size (NB)	A	B	C	D		Approx Weight (KG)
				S/W	SCR	
15	44	63	58	Ø15	1/2" BSP/NPT	0.9
20	44	63	58	Ø20	3/4" BSP/NPT	0.9

All dimensions are in mm (General Tolerance ±2mm)

INSTALLATION : Should be installed in horizontal pipe with the disc on top. can be fitted in other positions if unavoidable.

* NOTE : WE RESERVE THE RIGHT TO CHANGE SPECIFICATIONS WITHOUT PRIOR NOTICE FOR THE DEVELOPMENT AND IMPROVEMENT OF THE PRODUCT.

VOLFRAM SYSTEMS INDIA PVT. LTD.

OFFICE ADDRESS : 402, RUTUVIHAR, VARANASI SOCIETY, WARJE, PUNE, 411058
 FACTORY ADDRESS : D II, BLOCK NO. 58&59- 13/14/15, OPP. SPACO CO., SANT
 DYANESHWAR INDUSTRIAL ESTATE, MOHAN NAGAR, MIDC CHINCHWAD, 411019
 Tel.: +91 9309534688 | Email: steam@volfram.in | www.volfram.in

