

# THERMODYNAMIC STEAM TRAP (VTD-31B)

## TECHNICAL INFORMATION SHEET

CAST STAINLESS STEEL (ASTM A743 Gr. CA 40)  
 SIZE : 15 NB & 20 NB



### DESCRIPTION

Volfram Thermodynamic Steam Trap, with inbuilt strainer and full stainless steel construction is best suited for header and mainline drains.

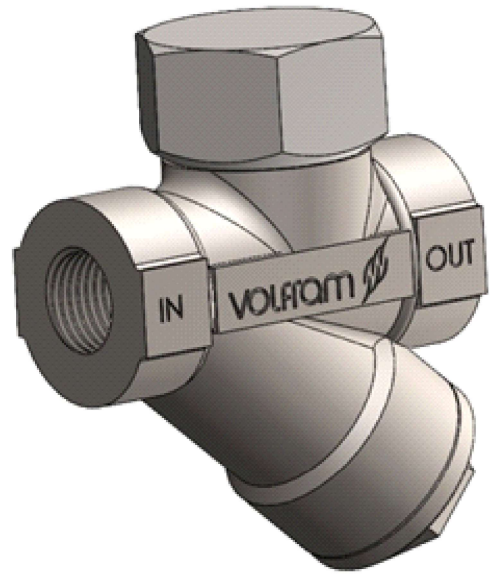
### SIZES & CLASS / RATINGS

- Available Sizes : 15 NB, 20 NB
- End Connection : Socket Weld or Screwed Ends (ASME B 16.11)

CERTIFICATION : These Traps are available with IBR certification (Indian Boiler Regulations).

### FEATURES

- Robust design giving excellent resistance to water hammer and vibration
- Positive discharge with tight shut-off
- Discharge condensate close to steam saturation temperature
- Standard end connections as per ASME B 16.11
- Compact Design, Easy to install



### THERMODYNAMIC STEAM TRAP (VTD-31B)

#### BILL OF MATERIAL

Sr. No.	Parts	Materials
01	Body	ASTM A743 GR. CA 40
02	Disc	SS 420
03	Disc Cap	ASTM A743 GR. CA 40
04	Screen**	SS 304 (Mesh 40)
05	End Cap	ASTM A743 GR. CA 40

NOTE : \*\* Marked items also available as spares.

#### DIMENSIONS(MM)

Size (NB)	A	B	C	D	Approx Weight (KG)
15	78	45	58	Ø15	1.1
20	78	45	58	Ø20	1.1

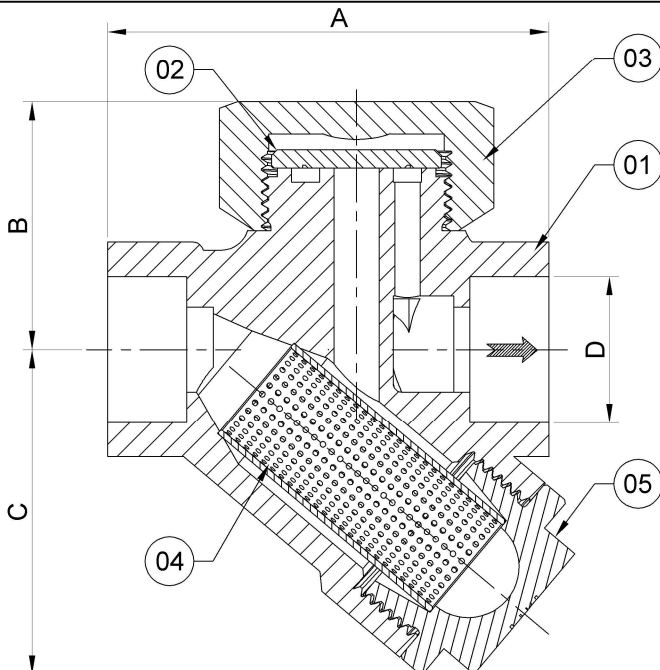
All dimensions are in mm (general tolerance ±2mm)

#### INSTALLATION :

Should be installed in horizontal pipe with the disc on top. Can be fitted on other positions if unavoidable.

#### SERVICING :

Unscrew the strainer cap. Withdraw the screen and clean or if damaged replace with a new one. To reassemble, insert the screen in the strainer cap and then screw the cap in its place. No gasket but a fine smear of a suitable anti-seize grease should be applied to the threads.



### OPERATING CONDITIONS

TYPE	Maximum Operating Pressure	Maximum Operating Temperature
S/W	53.0 Kg/cm <sup>2</sup> @250°C	425°C @ 39.7 Kg/cm <sup>2</sup>
SCR	31.5 Kg/cm <sup>2</sup> @250°C	425°C @ 23.6 Kg/cm <sup>2</sup>

\* NOTE.: WE RESERVE THE RIGHT TO CHANGE SPECIFICATIONS WITHOUT PRIOR NOTICE FOR THE DEVELOPMENT AND IMPROVEMENT OF THE PRODUCT.

### VOLFRAM SYSTEMS INDIA PVT. LTD.

OFFICE ADDRESS : 402, RUTUVIHAR, VARANASI SOCIETY, WARJE, PUNE, 411058  
 FACTORY ADDRESS : D II, BLOCK NO. 58&59- 13/14/15, OPP. SPACO CO., SANT  
 DYANESHWAR INDUSTRIAL ESTATE, MOHAN NAGAR, MIDC CHINCHWAD, 411019  
 Tel.: +91 9309534688 | Email: steam@volfram.in | www.volfram.in

