

CONDENSATE RECOVERY PUMP (VCRP-40)

TECHNICAL INFORMATION SHEET

CARBON STEEL

CLASS / RATING : #150| SIZE : 40 NB

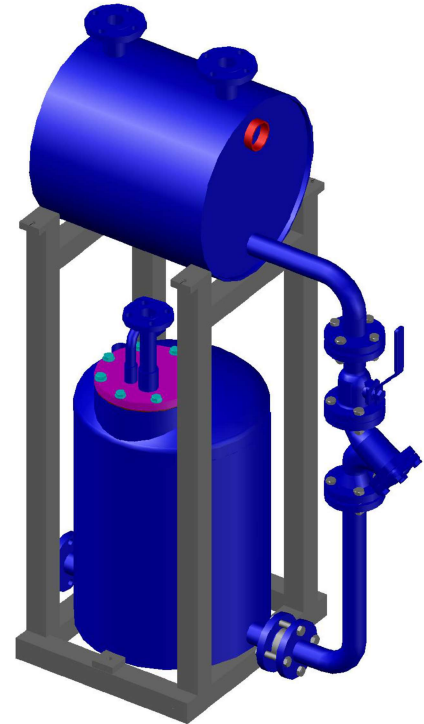


DESCRIPTION

THE VOLFRAM CONDENSATE RECOVERY PUMP, IS A POSITIVE DISPLACEMENT PUMP UNIT OPERATED BY STEAM TO RECOVER THE CONDENSATE AND ENERGY FROM THE UTILITY CIRCUIT

BILL OF MATERIAL

Sr.No	ITEM DESCRIPTION	MATERIAL
1	RECEIVER	CARBON STEEL
2	BUTTERFLY VALVE #150	CAST IRON
3	STRAINER #150 / SW	A216 WCB / A105
4	BALL VALVE SW/SCR	A105
5	DCV #150(SANDWITCHED)	STAINLESS STEEL
6	CONDENSATE PUMP	CARBON STEEL
7	PIPING	CARBON STEEL
8	FLANGES & FITTINGS	CARBON STEEL
9	FASTNERS	MS PLATED
10	STRUCTURE	IS 2062



CONDENSATE RECOVERY PUMP(VCRP-40)

DESIGN PARAMETERS.:

1. SIZE.: 40 NB.
2. APPROX WEIGHT.: 142 KG
3. BODY DESIGN.: 10 bar(g) AT 200 °C
4. OPERATING MOTIVE PRESSURE.: 2-7 bar(g)
5. PUMP DISCHARGE PER CYCLE.: 30 Ltrs
6. MATERIAL OF CONSTRUCTION.: CARBON STEEL

CAPACITY CHART

Sr. No	MOTIVE PRESSURE (Kg/cm ²)	BACK PRESSURE (Kg/cm ²)	CAPACITY (Kg/hr)
01	7.00	1.00	1230
02	7.00	3.00	1080
03	7.00	4.50	990
04	5.50	1.00	1110
05	5.50	3.00	930
06	5.50	4.50	780
07	3.50	1.00	960
08	3.50	1.50	810
09	3.50	2.50	750
10	2.00	0.50	810
11	2.00	0.80	780
12	2.00	1.00	720

PAGE.: 01 OF 02

VOLFRAM SYSTEMS INDIA PVT. LTD.

OFFICE ADDRESS : 402, RUTUVIHAR, VARANASI SOCIETY, WARJE, PUNE, 411058
FACTORY ADDRESS : D II, BLOCK NO. 58&59- 13/14/15, OPP. SPACO CO., SANT
DYANESHWAR INDUSTRIAL ESTATE, MOHAN NAGAR, MIDC CHINCHWAD, 411019
Tel.: +91 9309534688 | Email: steam@volfram.in | www.volfram.in



V0 February 2023

CONDENSATE RECOVERY PUMP (VCRP-40)

TECHNICAL INFORMATION SHEET

CARBON STEEL

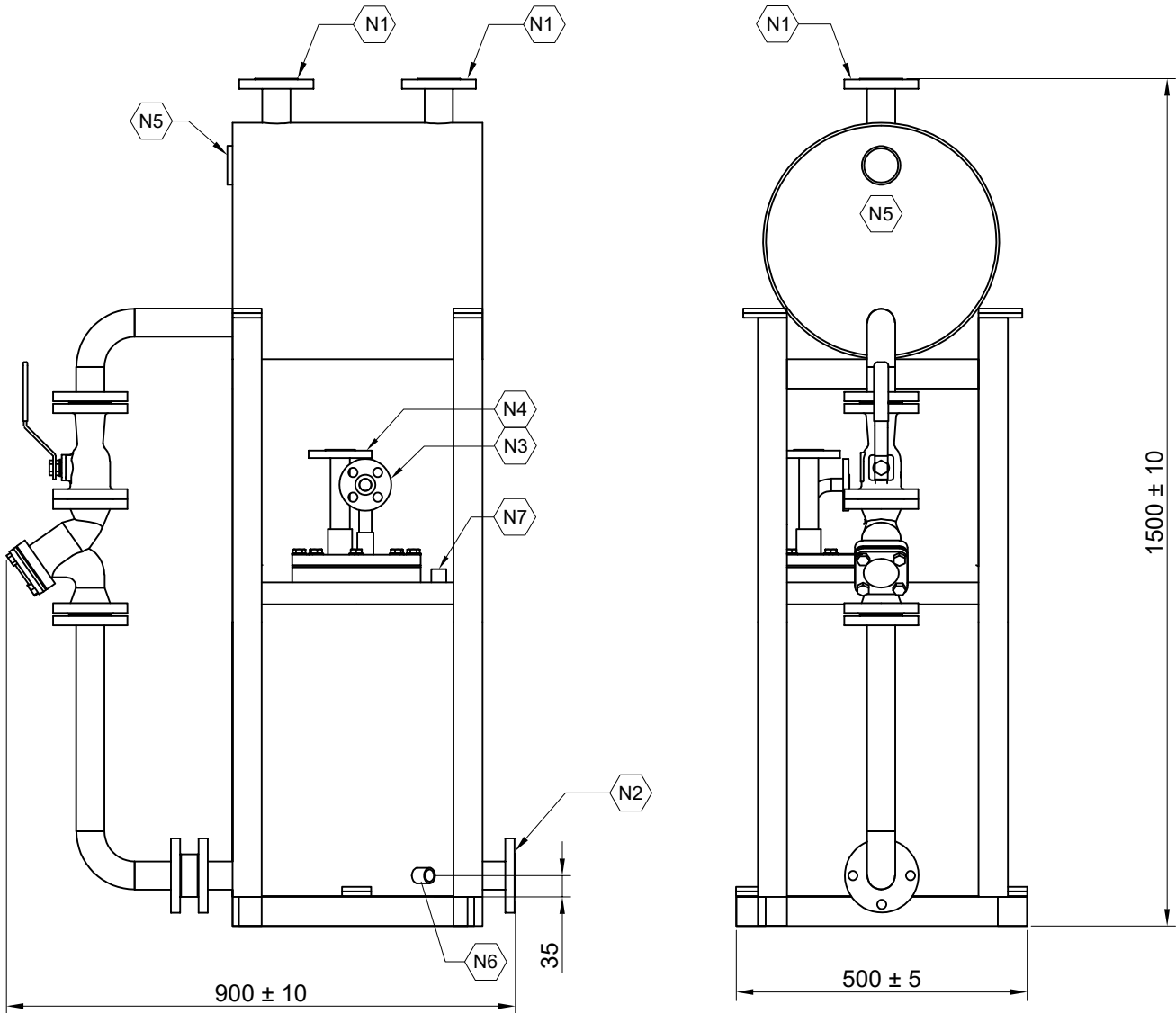
CLASS / RATING : #150| SIZE : 40 NB



NOZZLE DESCRIPTION

NOZZLE NO.	DESCRIPTION	SIZE
N1	CONDENSATE INLET	40NB #150
N2	CONDENSATE OUTLET	40NB #150
N3	MOTIVE STEAM INLET	15NB #150
N4	EXHAUST	25NB #150
N5	SOCKET FOR OVERFLOW	50NB BSP
N6	DRAIN PLUG	15NB BSP
N7	LEVEL INDICATOR	25NB BSP

* NOTE : ALL DIMENSIONS ARE IN MM(GENERAL TOLERANCE IS ± 10 MM.)



* NOTE.:

1. THIS SCHEMATICS IS ONLY FOR REFERENCE PURPOSE THE ACTUAL PRODUCT MAY LOOK DIFFERENT.
2. WE RESERVE THE RIGHT TO CHANGE SPECIFICATIONS WITHOUT PRIOR NOTICE FOR THE DEVELOPMENT AND IMPROVEMENT OF THE PRODUCT.

PAGE.: 02 OF 02



VOLFRAM SYSTEMS INDIA PVT. LTD.

OFFICE ADDRESS : 402, RUTUVIHAR, VARANASI SOCIETY, WARJE, PUNE, 411058

FACTORY ADDRESS : D II, BLOCK NO. 58&59- 13/14/15, OPP. SPACO CO., SANT

DYANESHWAR INDUSTRIAL ESTATE, MOHAN NAGAR, MIDC CHINCHWAD, 411019

Tel.: +91 9309534688 | Email: steam@volfram.in | www.volfram.in

V0 February 2023