

DISC CHECK VALVE (DCV-30)

TECHNICAL INFORMATION SHEET

STAINLESS STEEL (CF8/CF8M)

CLASS / RATING : #150 | SIZE : 15 NB TO 150 NB



DESCRIPTION

Volfram Disc Check Valve is designed on spring loaded principle which permits unidirectional flow & can be used for different medias like water steam & condensate. These Disc Check Valve is wafer type non return valve manufactured from stainless steel material.

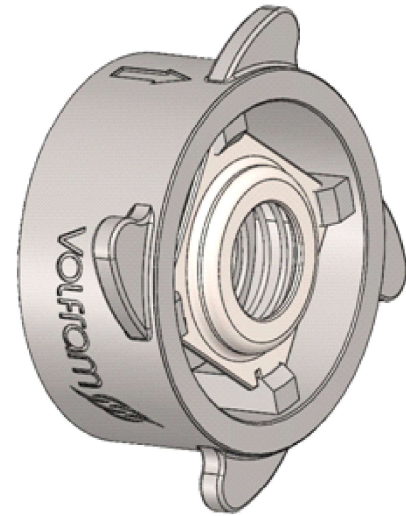
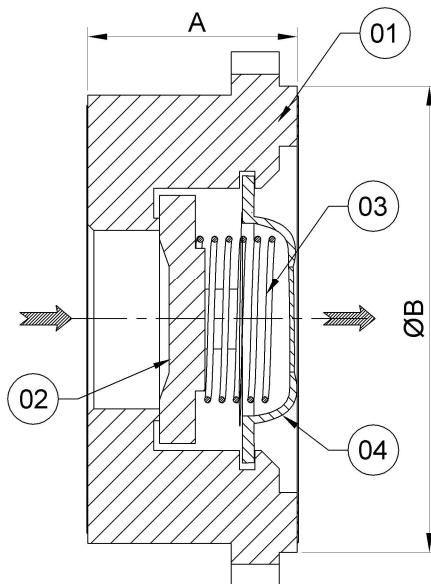
SIZES & CLASS / RATINGS

- Available Sizes : 15 NB, 20 NB, 25 NB, 40 NB, 50 NB, 65 NB, 80 NB, 100, 125, 150 NB.
- Available Class / Rating : #150
- End Connection : Sandwiched between flanges #150 (ASME B16.5)

CERTIFICATION : These DCV are available with IBR certification (Indian Boiler Regulations).

FEATURES

- Low pressure drop, Simple & compact design
- SS Body with SS internals. Soft seating available in Viton, PTFE, EPDM & Nitrile rubber on request.
- These valves are compact & need minimum installation time which is a distinct advantage.
- Specially useful on the outlet of steam trap before joining with condensate return header.



DISC CHECK VALVE (DCV-30)

BILL OF MATERIAL

Sr.No.	Parts	Material
01	Body	A351 CF8 / (CF8M On Request)
02	Disk	SS 316
03	Spring	SS Spring Steel
04	Spring Retainer	SS 316

DIMENSIONS

Size (NB)	Size (Inch)	Class / Rating		Weight Kg(Approx.)
		#150		
		A	ØB	
15 NB	1/2"	17	Ø39	0.25
20 NB	3/4"	20.5	Ø48	0.30
25 NB	1"	22.5	Ø56	0.40
40 NB	1 1/2"	33	Ø75	0.75
50 NB	2"	41	Ø93	1.4
65 NB	2 1/2"	46	Ø114	2.0
80 NB	3"	51	Ø131	2.5
100 NB	4"	61	Ø154	3.1
125 NB	5"	70	Ø172	4.7
150 NB	6"	74	Ø202	6.78

All dimensions are in mm (General Tolerance ±2mm)

OPERATING CONDITIONS

Rating	Maximum Operating Pressure	Maximum Operating Temperature
#150	19.37 Kg/cm ² @ 30°C	450°C @ 4.69 Kg/cm ²
Hydro Test Pr. (As Per IBR) : 29.05 Kg/cm ² @ 30°C		

INSTALLATION :

The DCV can be installed in either a horizontal or vertical line in accordance with the flow directional arrow indicated on the body.

NOTE : Flanges, bolts (or studs), nuts and gaskets are available at additional cost.

SERVICING : Not Required

* NOTE : WE RESERVE THE RIGHT TO CHANGE SPECIFICATIONS WITHOUT PRIOR NOTICE FOR THE DEVELOPMENT AND IMPROVEMENT OF THE PRODUCT.



VOLFRAM SYSTEMS INDIA PVT. LTD.

OFFICE ADDRESS : 402, RUTUVIHAR, VARANASI SOCIETY, WARJE, PUNE, 411058

FACTORY ADDRESS : D II, BLOCK NO. 58&59- 13/14/15, OPP. SPACO CO., SANT

DYANESHWAR INDUSTRIAL ESTATE, MOHAN NAGAR, MIDC CHINCHWAD, 411019

Tel.: +91 9309534688 | Email: steam@volfram.in | www.volfram.in