

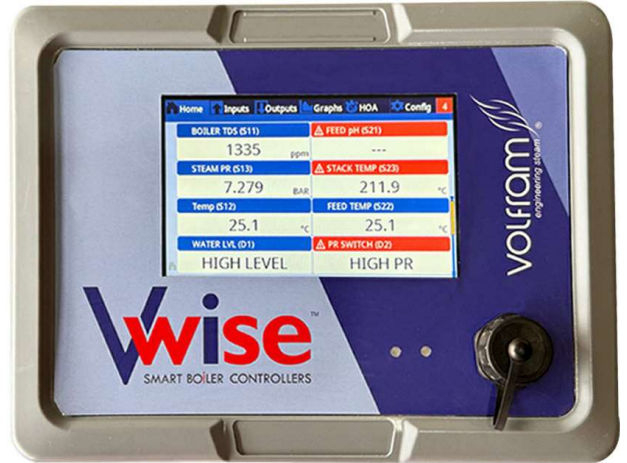
V-WISE™ SMART BOILER CONTROLLER

TECHNICAL INFORMATION SHEET



DESCRIPTION

THE VOLFRAM V-WISE SMART BOILER CONTROLLER IS THE IDEAL CHOICE FOR INDUSTRIES WHERE EFFICIENT BOILER CONTROL IS PARAMOUNT FOR SMOOTH BOILER OPERATION ALONG WITH HISTORICAL DATA RECORD FOR ANALYSIS. THIS ESSENTIAL COMPONENT ENSURES COMPLETE CONTROL OVER THE BOILER. IT IS A CUTTING-EDGE INNOVATION THAT TRANSFORMS TRADITIONAL BOILER CONTROL PANEL INTO INTELLIGENT, CONNECTED SOLUTIONS. EQUIPPED WITH A USER-FRIENDLY TOUCH SCREEN INTERFACE, VIBRANT MULTI-COLOR DISPLAY, AND INTERNET CONNECTIVITY, IT OFFERS ADVANCED FUNCTIONALITY FOR OPTIMAL PERFORMANCE.



V-WISE™ SMART BOILER CONTROLLER

FEATURES:

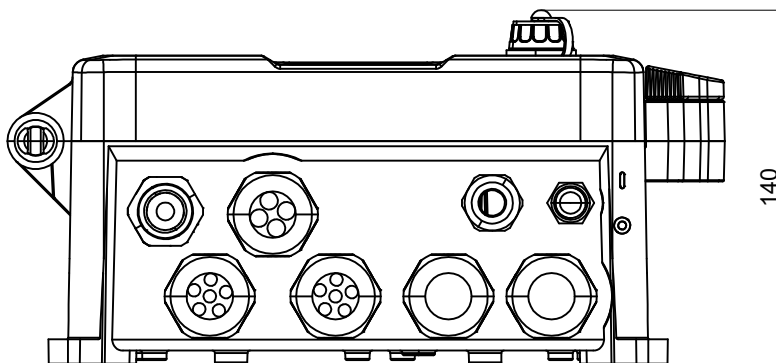
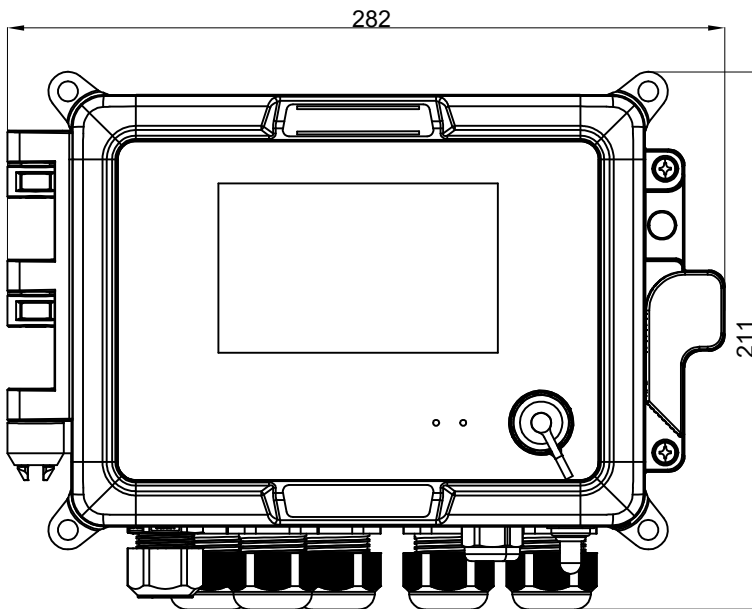
1. TOUCH SCREEN
2. MULTI COLOR DISPLAY
3. INBUILT DATA LOGGING
4. INTERNET CONNECTIVITY
5. MOBILE ACCESSIBILITY
6. GRAPHICAL REPRESENTATION OF PARAMETER'S HISTORICAL DATA

INPUT SPECIFICATIONS

- POWER: 100 TO 240 VAC +/- 10%, 50 OR 60 Hz, 7 A MAXIMUM FUSE: 6.3 A
- ANALOG (4-20 MA) SENSOR INPUT- 4 NOS.
- DIGITAL INPUT SIGNALS- 6 NOS.

OUT PUT SPECIFICATIONS

- MECHANICAL RELAY OUTPUTS-6 NOS.
- PULSE OUTPUTS: OPTO-ISOLATED, SOLID-STATE RELAY, 200MA, 40V DC VLOWMAX = 0.05V @ 18MA
- 4 - 20 MA: 600 OHM MAX RESISTIVE LOAD RESOLUTION 0.0015% OF SPAN ACCURACY ± 0.5% OF READING - 2 NOS OPTIONALLY AVAILABLE
- ETHERNET: 10/100 802.3-2005 AUTO MDIX SUPPORT AUTO NEGOTIATION
- USB: CONNECTOR TYPE A RECEPTACLE



* NOTE: :

1. THIS SCHEMATICS IS ONLY FOR REFERENCE PURPOSE THE ACTUAL PRODUCT MAY LOOK DIFFERENT.
2. WE RESERVE THE RIGHT TO CHANGE SPECIFICATIONS WITHOUT PRIOR NOTICE FOR THE DEVELOPMENT AND IMPROVEMENT OF THE PRODUCT.

PAGE.: 01 OF 02



VOLFRAM SYSTEMS INDIA PVT. LTD.

OFFICE ADDRESS : 402, RUTUVIHAR, VARANASI SOCIETY, WARJE, PUNE, 411058
 FACTORY ADDRESS : AKURDI INDUSTRIAL ESTATE PLOT NUMBER: 3B+3
 PART/32/A & BLOCK : D-1, MIDC CHINCHWAD, PUNE 411019,
 Tel.: +91 9309534688 | Email: steam@volfram.in | www.volfram.in

VO MAY 2024

V-WISE™ SMART BOILER CONTROLLER

TECHNICAL INFORMATION SHEET

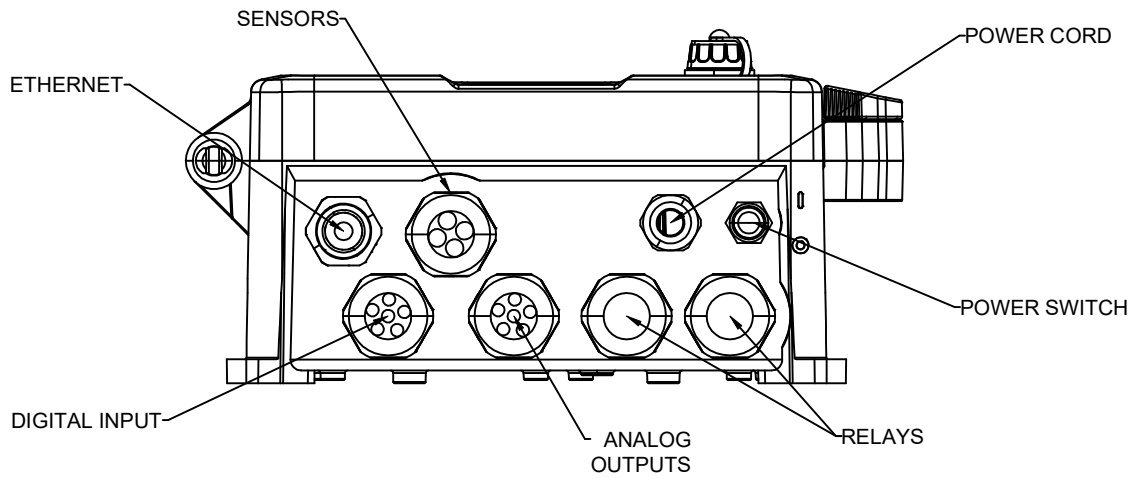


FIGURE : CONNECTION DETAILS

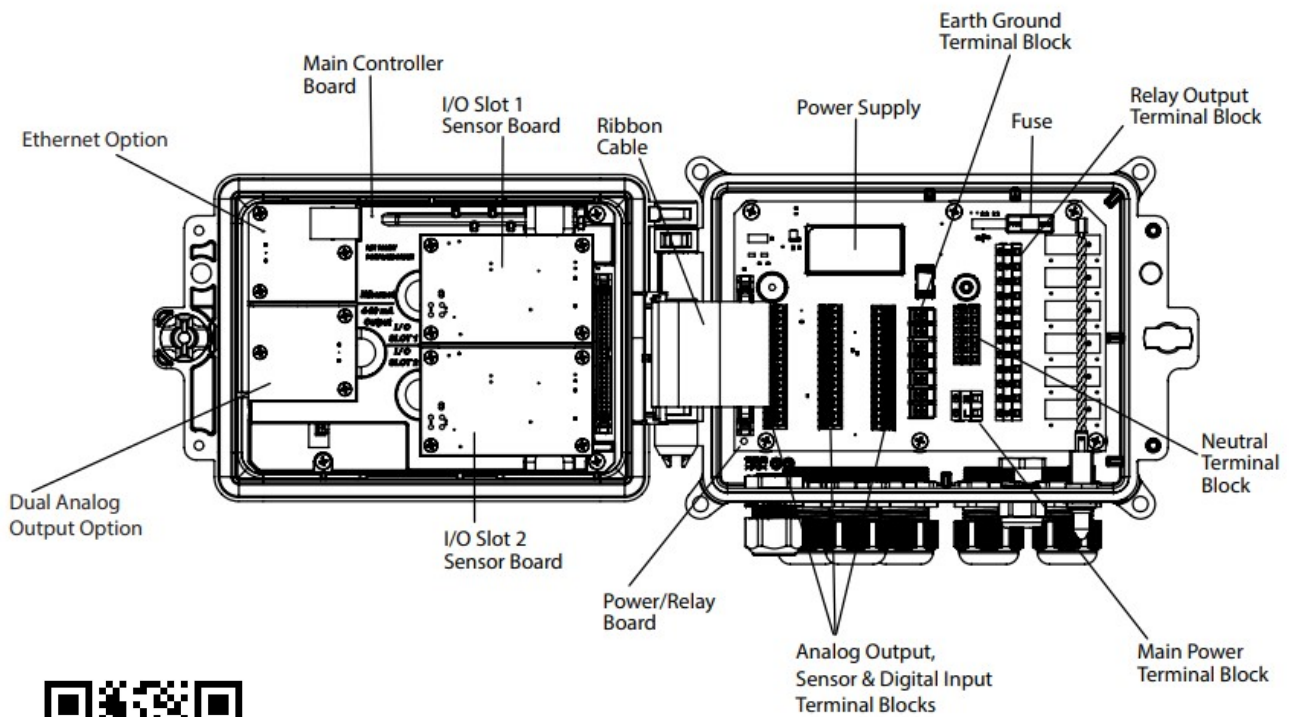


FIGURE : PARTS IDENTIFICATION



FOR MORE DETAILS
PLEASE SCAN QR CODE

- * NOTE :
1. THIS SCHEMATICS IS ONLY FOR REFERENCE PURPOSE THE ACTUAL PRODUCT MAY LOOK DIFFERENT.
 2. WE RESERVE THE RIGHT TO CHANGE SPECIFICATIONS WITHOUT PRIOR NOTICE FOR THE DEVELOPMENT AND IMPROVEMENT OF THE PRODUCT.