

VARIABLE ORIFICE FLOAT TRAP (VOFT - 10)

TECHNICAL INFORMATION SHEET

CARBON STEEL

CLASS / RATING : #150, #300 | SIZE : 15 NB TO 65 NB



DESCRIPTION

Volfram VOLT-10 Variable Orifice Float Steam Traps are available with air vent steam lock release. These traps are designed for draining condensate from all types of low & medium pressure steam heating process. Typical applications include heat exchangers, & jacketed vessels.

SIZES & CLASS / RATINGS

- Available Sizes : 15 NB, 20 NB, 25 NB, 40 NB, 50 NB, 65 NB.
- Available Class / Rating : #150, #300
- End Connection : Socket Weld or Screwed & Flanged Ends



VARIABLE ORIFICE FLOAT TRAP (VOFT - 10)

OPERATING CONDITIONS

Maximum Operating Pressure	Maximum Operating Temperature
21 Kg/cm ²	217°C
Cold Hydro Test Pr. : 31.5 Kg/cm ² @ 30°C	

DIMENSIONS

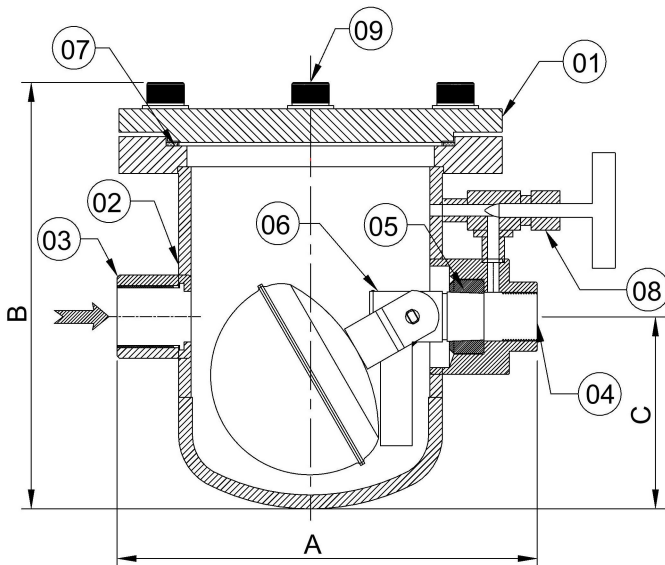
Size	15 NB	20 NB	25 NB	40 NB	50 NB	65 NB
	Screwed / SW			Flanged Ends		
A	182	182	182	340	340	470
B	175	175	175	310	310	415
C	83	83	83	145	145	180

All dimensions are in mm (General Tolerance ±2mm)

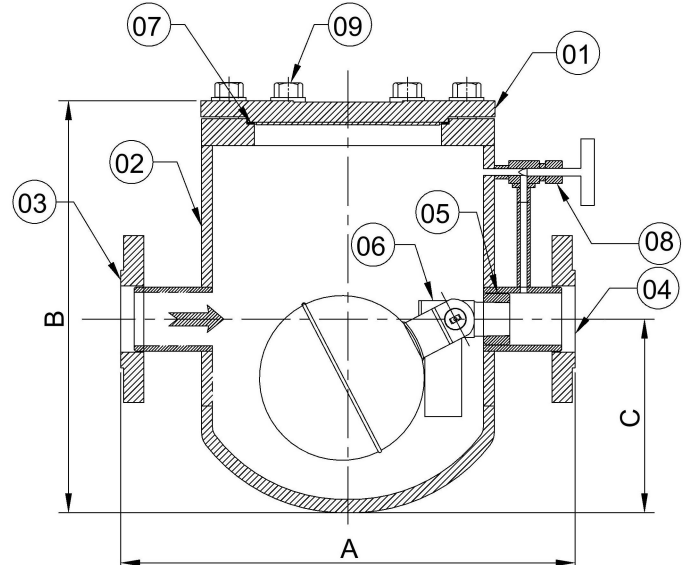
BILL OF MATERIAL

Sr. No.	Part	Material
01	Cover	Carbon Steel
02	Body	Carbon Steel
03	Inlet Nozzle Flanged/SW/SCR	Carbon Steel
04	Outlet Nozzle Flanged/SW/SCR	Carbon Steel
05	Bush	SS 304
06	Internal Assembly Kit	SS 304
07	Gasket	Non Asbestos
08	SLR Assembly	SS 304
09	Hex Bolt	Mild Steel

SOCKET WELD / SCREWED ENDS



FLANGED ENDS



* NOTE : WE RESERVE THE RIGHT TO CHANGE SPECIFICATIONS WITHOUT PRIOR NOTICE FOR THE DEVELOPMENT AND IMPROVEMENT OF THE PRODUCT.



VOLFRAM SYSTEMS INDIA PVT. LTD.

OFFICE ADDRESS : 402, RUTUVIHAR, VARANASI SOCIETY, WARJE, PUNE, 411058

FACTORY ADDRESS : D II, BLOCK NO. 58&59- 13/14/15, OPP. SPACO CO., SANT

DYANESHWAR INDUSTRIAL ESTATE, MOHAN NAGAR, MIDC CHINCHWAD, 411019

Tel.: +91 9309534688 | Email: steam@volfram.in | www.volfram.in

VARIABLE ORIFICE FLOAT TRAP (VOFT - 10)

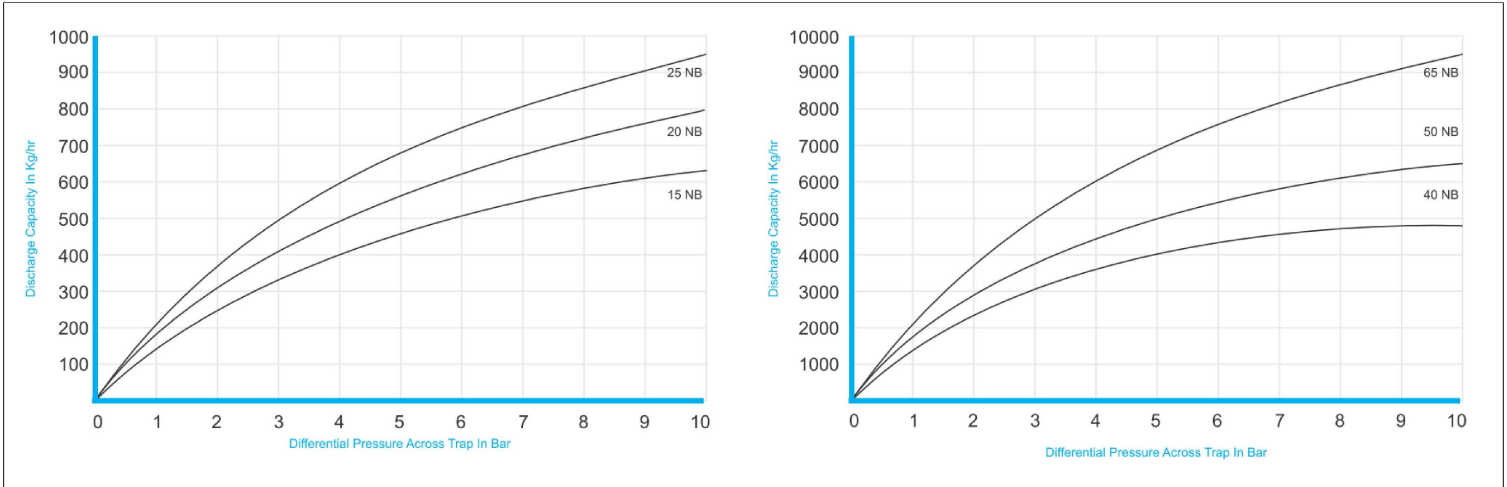
TECHNICAL INFORMATION SHEET

CARBON STEEL

CLASS / RATING : #150, #300 | SIZE : 15 NB TO 65 NB



CAPACITY CHART



* NOTE : WE RESERVE THE RIGHT TO CHANGE SPECIFICATIONS WITHOUT PRIOR NOTICE FOR THE DEVELOPMENT AND IMPROVEMENT OF THE PRODUCT.



VOLFRAM SYSTEMS INDIA PVT. LTD.

OFFICE ADDRESS : 402, RUTUVIHAR, VARANASI SOCIETY, WARJE, PUNE, 411058

FACTORY ADDRESS : D II, BLOCK NO. 58&59- 13/14/15, OPP. SPACO CO., SANT DYANESHWAR INDUSTRIAL ESTATE, MOHAN NAGAR, MIDC CHINCHWAD, 411019

Tel.: +91 9309534688 | Email: steam@volfram.in | www.volfram.in